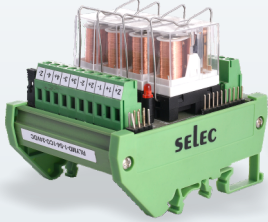


RLYMD-1-S4-1CO-24VDC



69 x 87 x 78mm

RLYMD-2-S8-1CO-24VDC



138 x 87 x 78mm

Certifications : **CE RoHS**

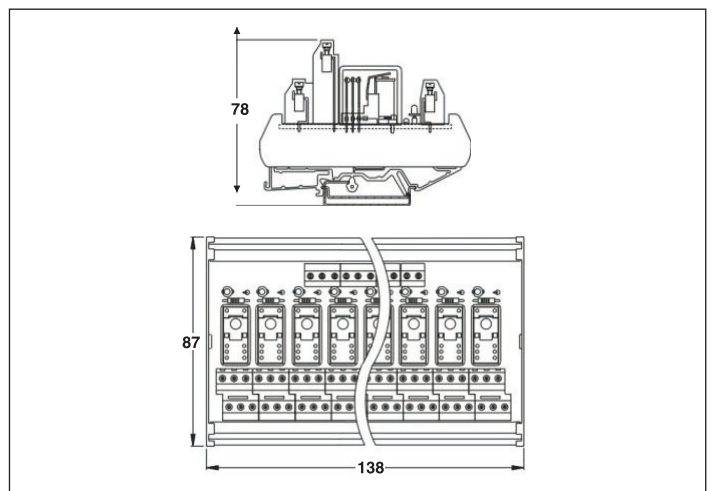
Features :

- Single Changeover
- LED & Free Wheeling Diode across Coil
- Jumpers for Coil Looping
- Reverse Polarity Protection

Display Specifications

| | |
|--------------------------|--|
| Contacts | 1 C/O |
| No. of Channels | 4, 8 |
| RELAY | |
| Nominal Coil Voltage | 24V DC |
| Must Operate Voltage | 18V DC |
| Max Coil Voltage | 33V DC |
| Coil Current Per Channel | 46mA |
| Operate (set) Time | 15ms Max |
| Release(reset) Time | 5ms Max |
| Endurance | Mechanical : 10000000 ops Electrical : 100000 ops |
| Dielectric Strength | Coil to contact : 5000VAC for 1 minute Open contacts : 1000VAC for 1 minute |
| Contact Rating | 10A@277VAC / 30VDC |
| Mounting | 35 mm DIN rail |

Dimensions (in mm)



Environmental Specifications

| | |
|---------------------------|--|
| Temperature | Operating : -40 to 85°C |
| Humidity (non-condensing) | 98% RH |
| Weight | RLYMD-1-S4-1CO-24VDC : 210gms RLYMD-2-S8-1CO-24VDC : 400gms |

Ordering Information

| Product Code | Description | Certification |
|----------------------|--|----------------|
| RLYMD-1-S4-1CO-24VDC | Relay Module – 4 Channel 1 Change Over | CE RoHS |
| RLYMD-2-S8-1CO-24VDC | Relay Module – 8 Channel 1 Change Over | CE RoHS |